

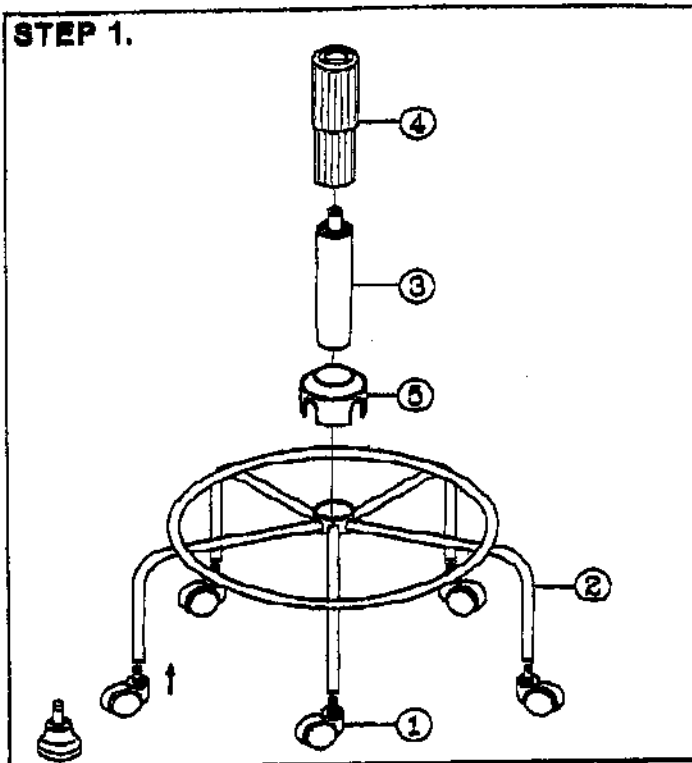


Assembly Instructions for "Office Stool" No. DC207 B

PARTS LIST

KEY	QTY	DESCRIPTION
1	5	CASTER & GLIDE
2	1	BASE
3	1	SEAT POST
4	1	SEAT POST COVER
5	1	BASE CAP
6	4	MECHANISM SCREW
7	1	MECHANISM
8	1	SEAT

STEP 1.



STEP 2.

